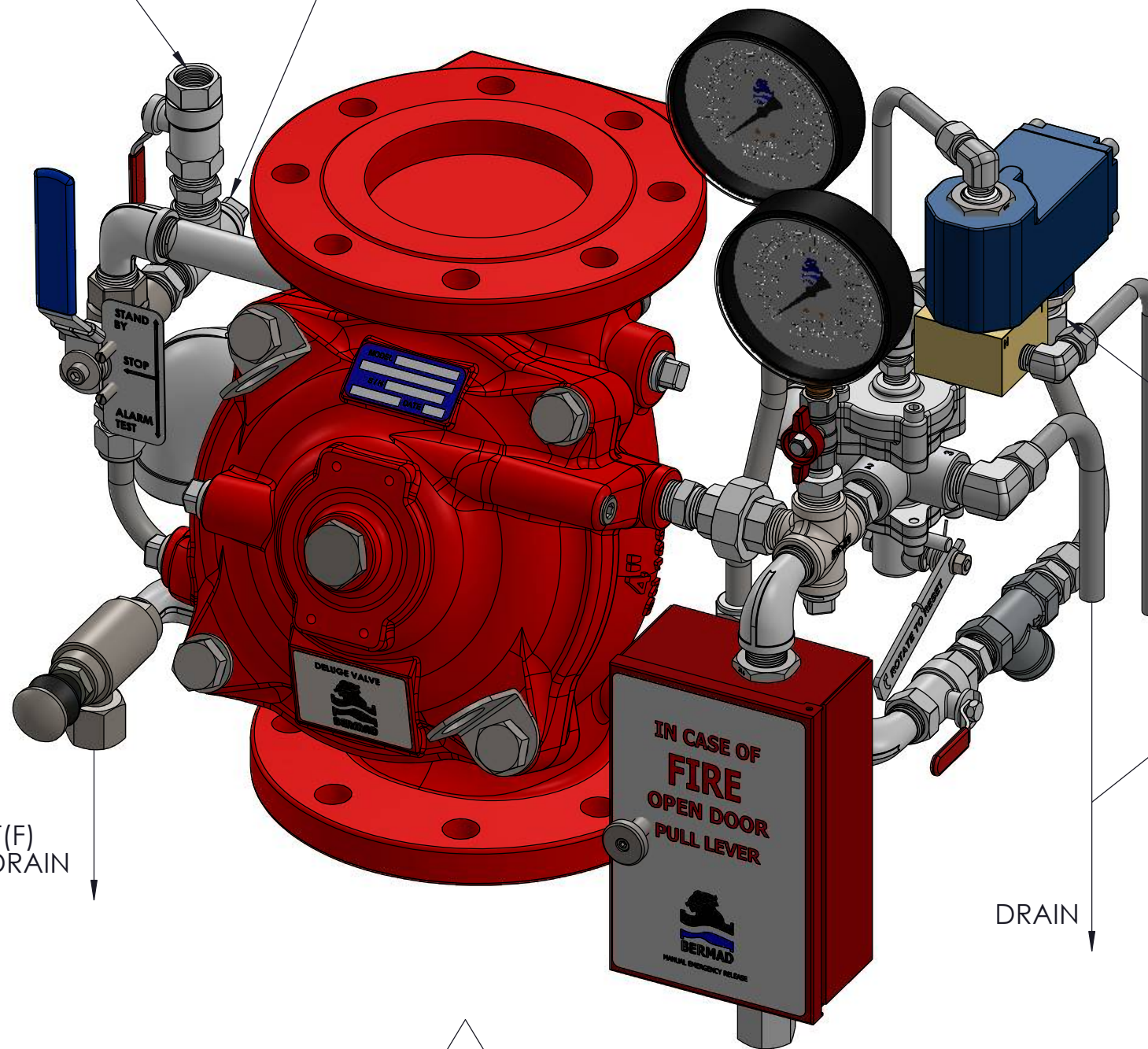


1/2"NPT(F)
TO PRESSURE
SWITCH

1/2"NPT(F)
TOWATER
MOTOR
ALARM



M20x1.5
ELECTRIC
ENTRY

1/2"NPT(F)
OPEN DRAIN


DRAIN

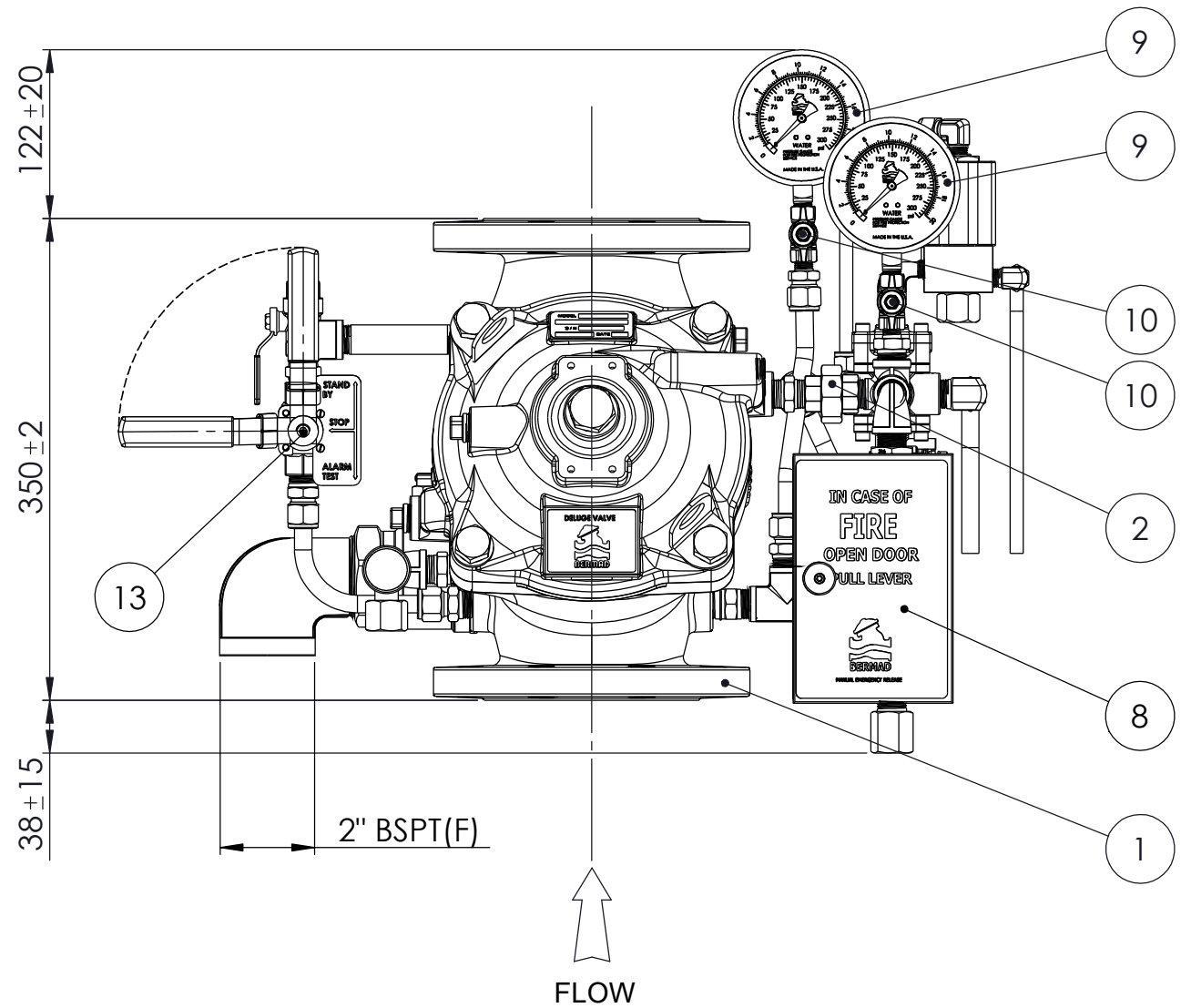
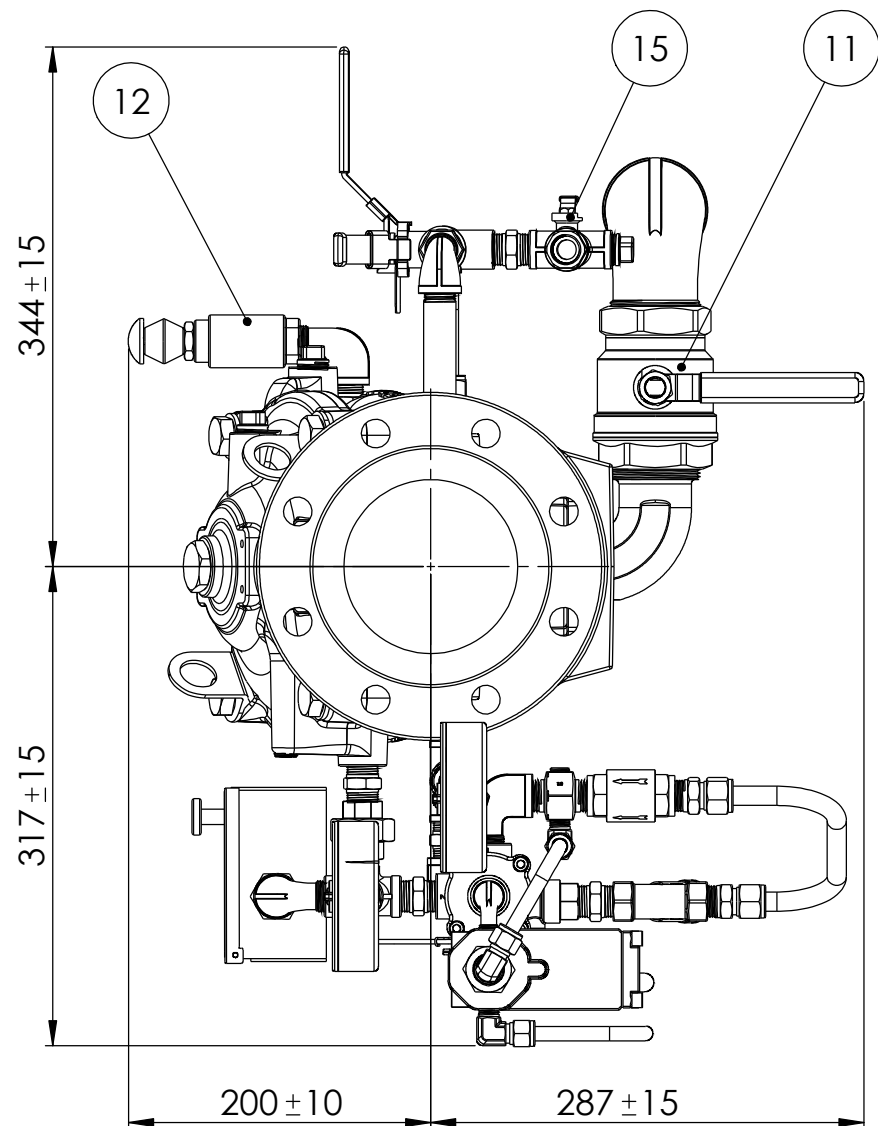
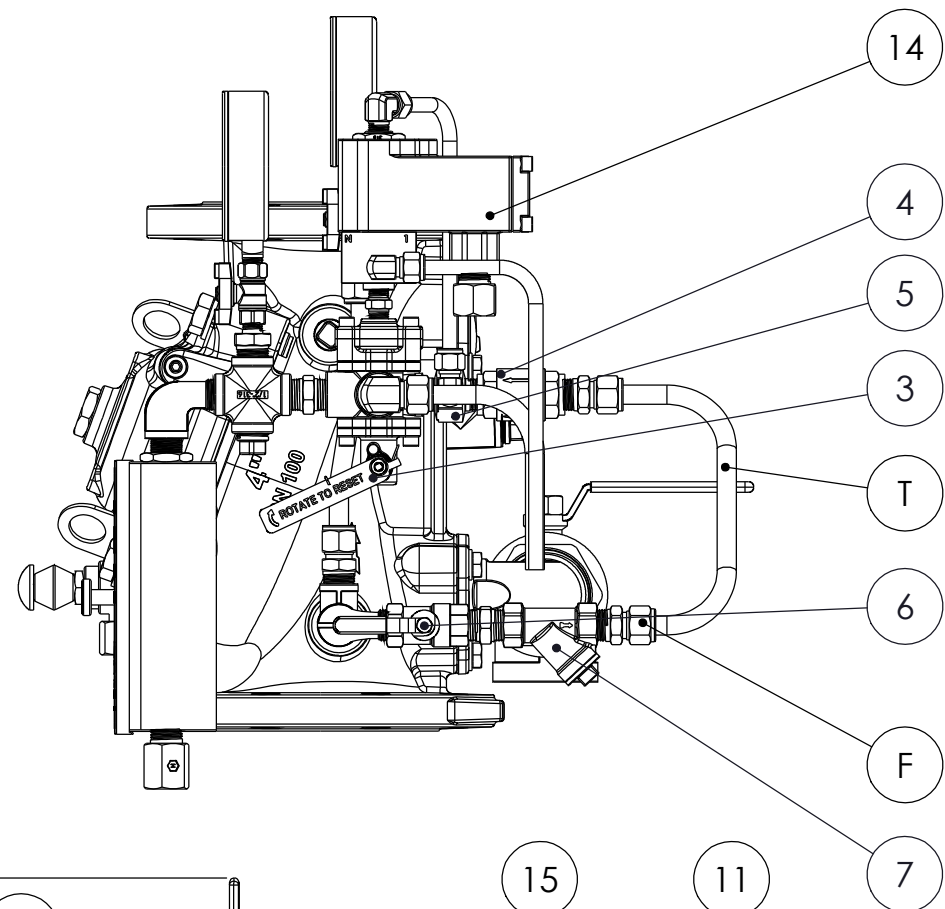
FLOW

1/2"NPT(F)
OPEN DRAIN

NOTE:1. PROVIDE AMPLE CLEARANCE FOR FUTURE MAINTENANCE

THIS DOCUMENT IS BERMAD'S PROPERTY AND CANNOT BE USED BY
OTHERS FOR ANY PURPOSE WITHOUT PRIOR WRITTEN CONSENT.

CATALOG No.	PC1-FP-4-400Y-3UM-V-C-16-ER-4DC-NN-APY				
Project Name:	Doc. Code: GA		Material:		Finish:
DESIGN	Alex Dehtar	01.05.2019	DESCRIPTION: ELECTRICALLY CONTROLLED DELUGE VALVE WITH 3/2 LOCAL RESET PILOT		SCALE: A3 REV. 0
DRAWN	Lior.W	01.05.2019	File name:	PC1-FP-4-400Y-3UM-V-C-16-ER-4DC-NN-APY	
APPROVED	Alex Dehtar	07.05.2019	DWG No.022269	WEIGHT [Kg]: 52 SHEET 1 OF 2	



Item No.	Description	Qty
1	Deluge Valve Bermad 400Y #150RF	1
2	Union 1/2"	1
3	URV-M w/ Manual Reset	1
4	Check Valve 1/2"	1
5	Orifice Assembly	1
6	Priming Ball Valve 1/2"	1
7	Priming Y-Strainer 1/2"	1
8	Manual Emergency Release Model D 1/2"	1
9	Pressure Gauge 4"x1/4"	2
10	Pressure Gauge Ball Valve 1/4"	2
11	Drain Valve 2"	1
12	Drip Check	1
13	3 Way Ball Valve 1/2"	1
14	Solenoid Valve 3-Way	1
15	Ball Valve 1/2"	1
F	Tube and Pipe Fittings	Lot
T	Seamless Tube 3/8"-1/2"OD	Lot

NOTE:1. PROVIDE AMPLE CLEARANCE FOR FUTURE MAINTENANCE

THIS DOCUMENT IS BERMAD'S PROPERTY AND CANNOT BE USED BY OTHERS FOR ANY PURPOSE WITHOUT PRIOR WRITTEN CONSENT.

CATALOG No. PC1-FP-4-400Y-3UM-V-C-16-ER-4DC-NN-APY		Project Name:		Material:	Finish:
Doc. Code: GA		DESCRIPTION:		ELECTRICALLY CONTROLLED DELUGE VALVE WITH 3/2 LOCAL RESET PILOT	
DESIGN	Alex Dehtar	DATE	01.05.2019	File name:	PC1-FP-4-400Y-3UM-V-C-16-ER-4DC-NN-APY
DRAWN	Lior.W	DATE	01.05.2019	SCALE:	A3
APPROVED	Alex Dehtar	DATE	07.05.2019	DWG No. 022269	WEIGHT [Kg]:52 SHEET 2 OF 2 REV. 0

