

1/2"NPT(F)  
Water Priming  
Connection

M20x1.5  
Electric Cable  
Connection


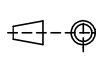
↑  
FLOW

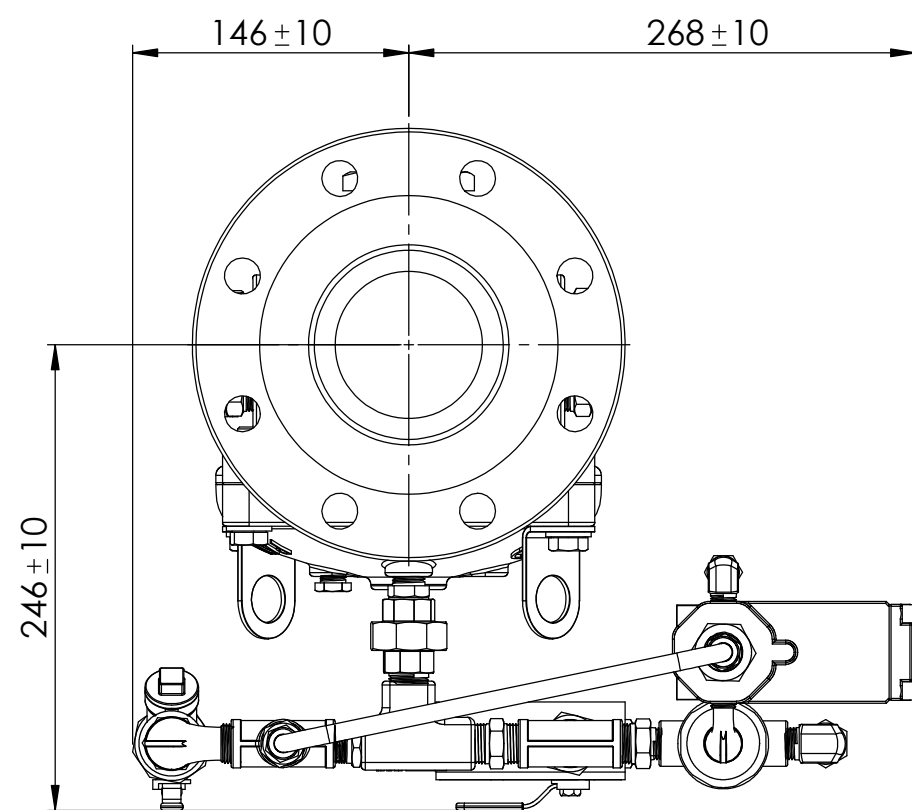
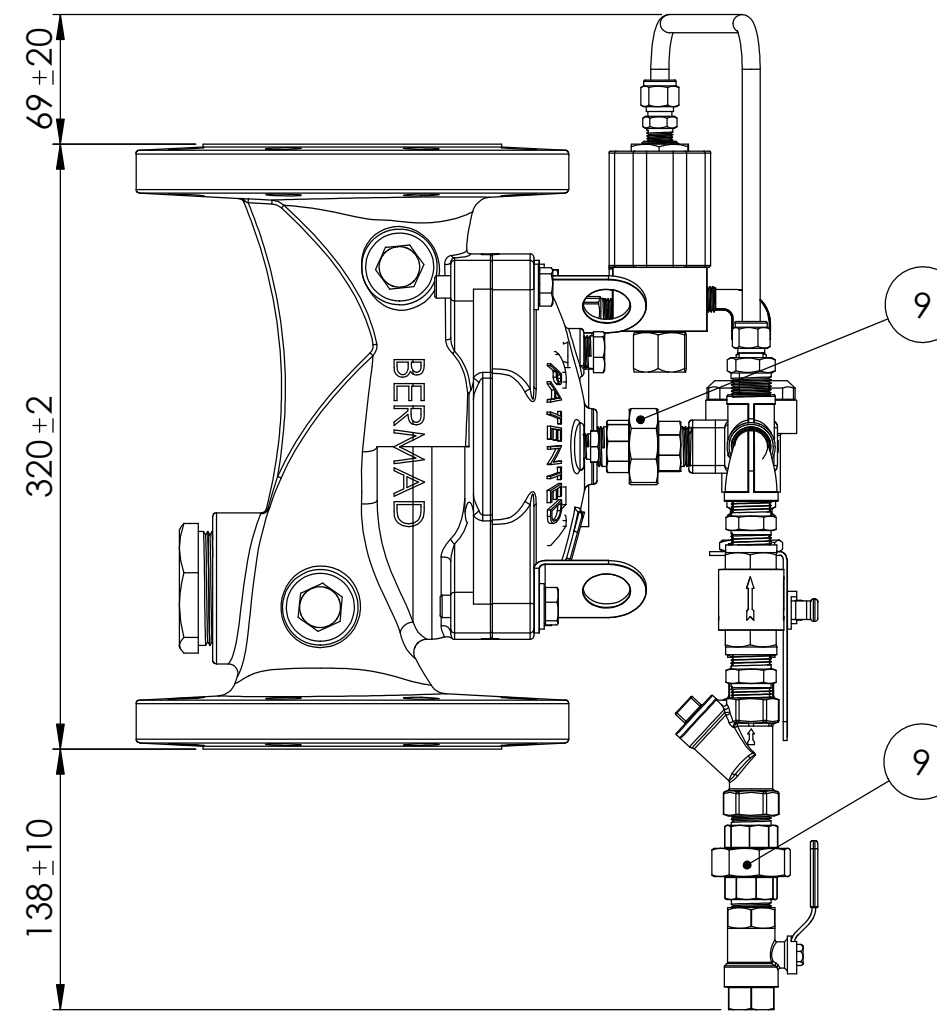
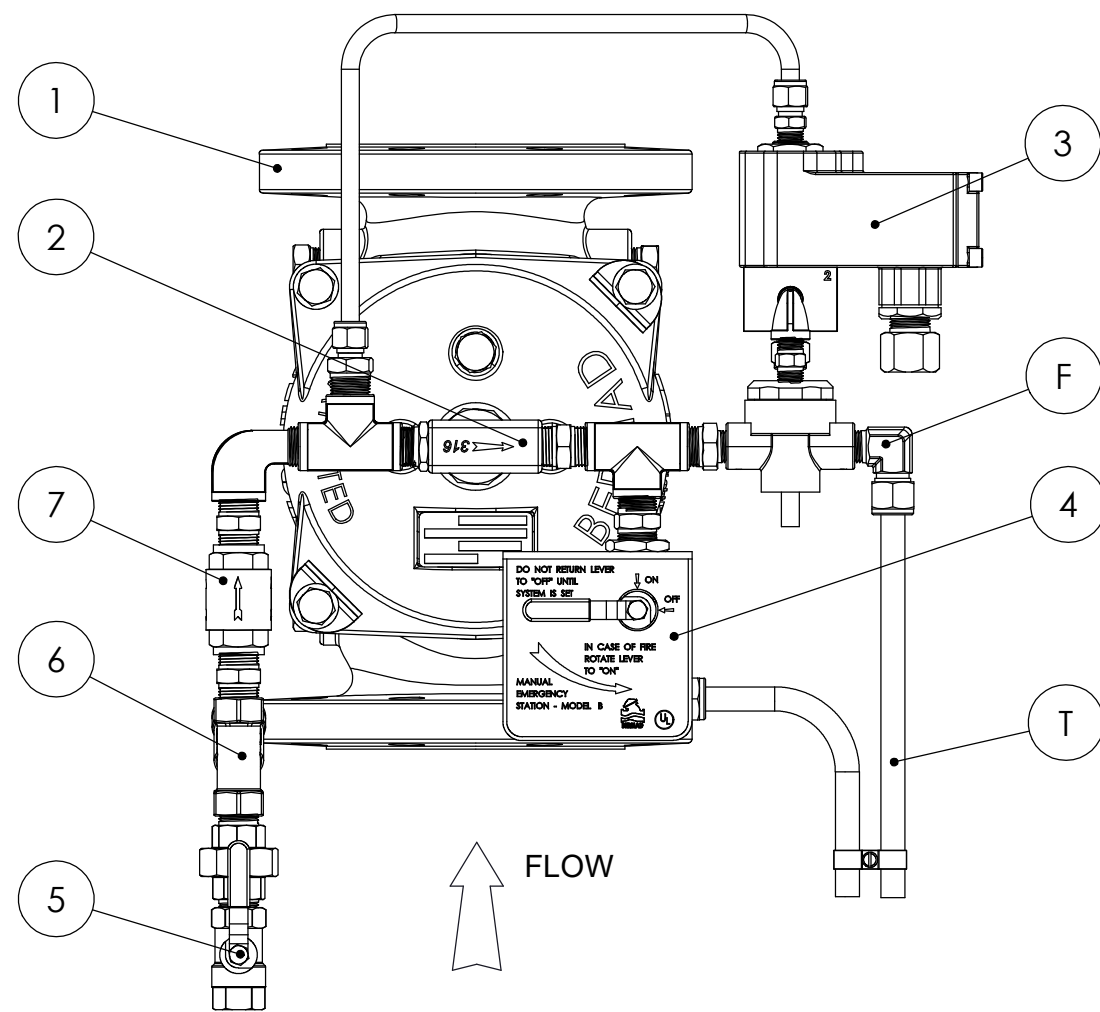
Open Drain

Drain

NOTE:1. PROVIDE AMPLE CLEARANCE FOR FUTURE MAINTENANCE

THIS DOCUMENT IS BERMAD'S PROPERTY AND CANNOT BE USED BY OTHERS FOR ANY PURPOSE WITHOUT PRIOR WRITTEN CONSENT.

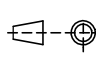
CATALOG No.	PC11-FP-4-400E-3D-G-C-A16-ER-4DC-NN			
	Project Name:		Material: Material	
	Doc. Code:		DESCRIPTION: ELECTRICALLY CONTROLLED ON-OFF DELUGE VALVE	
	NAME	DATE		
DESIGN	Fire Protection User	03.02.2020		
DRAWN	Alexander Bezrebriy	03.02.2020	File name: PC11-FP-4-400E-3D-G-C-A16-ER-4DC- NN	SCALE: 1:3
APPROVED	Alexander Bezrebriy	03.02.2020	DWG No. 024544	WEIGHT [Kg]: 35
			SHEET 1 OF 2	REV. 0



NOTE:1. PROVIDE AMPLE CLEARANCE FOR FUTURE MAINTENANCE

THIS DOCUMENT IS BERMAD'S PROPERTY AND CANNOT BE USED BY OTHERS FOR ANY PURPOSE WITHOUT PRIOR WRITTEN CONSENT.

Item No.	Description	Qty.
1	Bermad 400E Deluge Valve, #150RF	1
2	Ejector & Priming Restrictor	1
3	Solenoid Valve	1
4	Manual Emergency Release B	1
5	Priming Ball Valve 1/2"	1
6	Priming Y Filter 1/2"	1
7	Priming, Check Valve 1/2"	2
8	Union 1/2"	2
F	Tube and Pipe Fittings	Lot.
T	Seamless Tube 3/8"-1/2"OD	Lot.

CATALOG No.	PC11-FP-4-400E-3D-G-C-A16-ER-4DC-NN			
	Project Name:		Material: Material	Finish: Finish
	Doc. Code:		DESCRIPTION: ELECTRICALLY CONTROLLED ON-OFF DELUGE VALVE	
	NAME	DATE		
DESIGN	Fire Protection User	03.02.2020		
DRAWN	Alexander Bezrebrly	03.02.2020	File name: PC11-FP-4-400E-3D-G-C-A16-ER-4DC-NN	SCALE: 1:4
APPROVED	Alexander Bezrebrly	03.02.2020	DWG No. 024544	WEIGHT [Kg]: 35
			SHEET 2 OF 2	REV. 0

