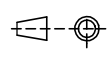
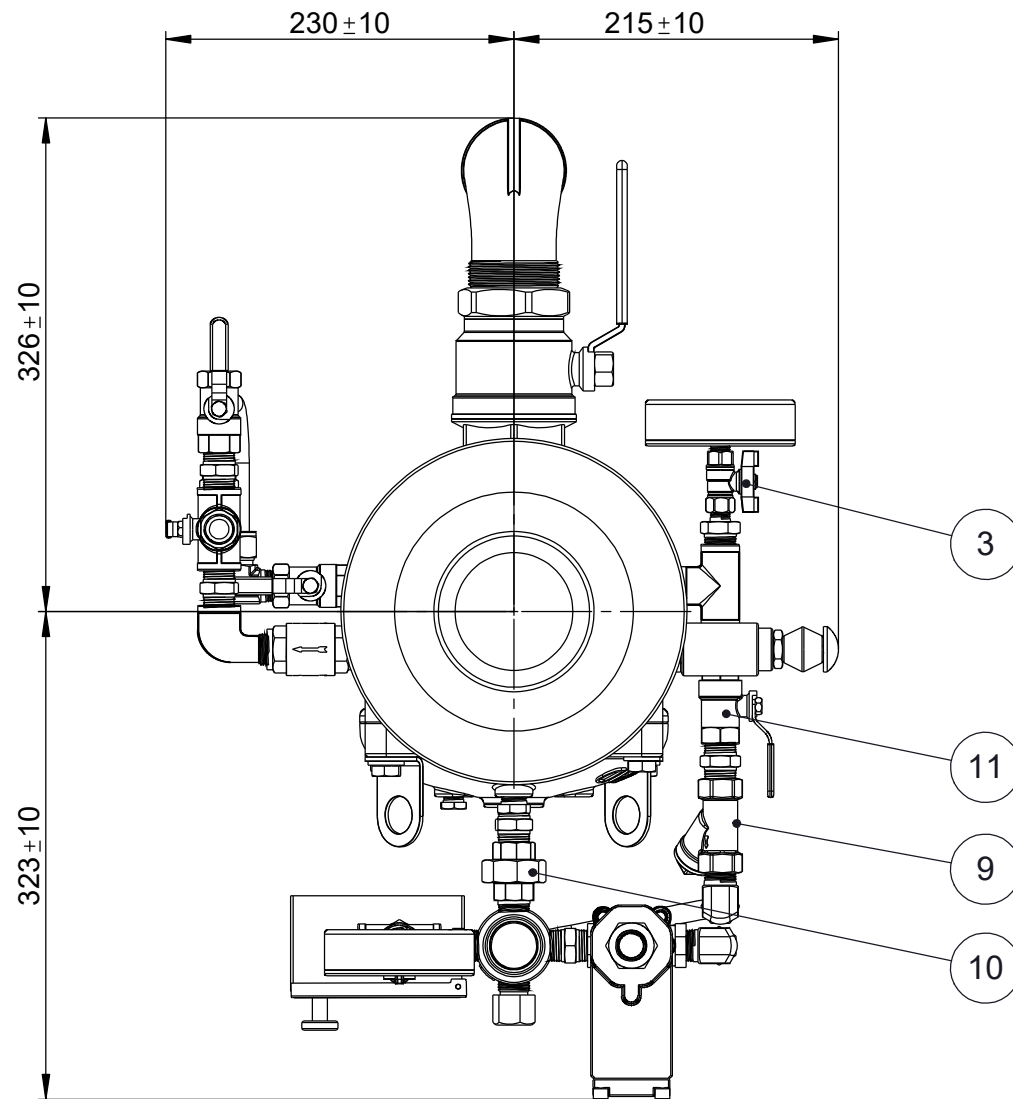
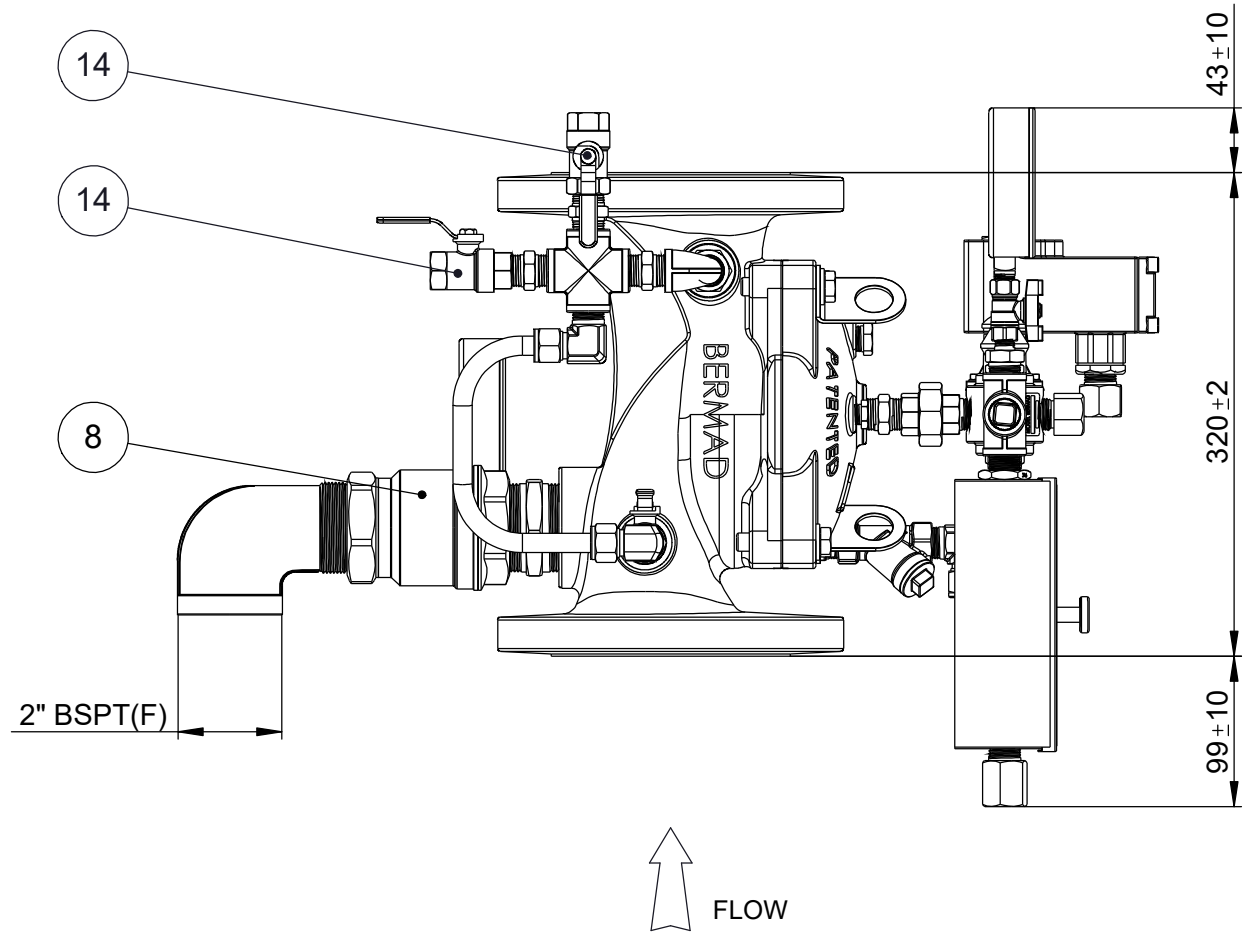
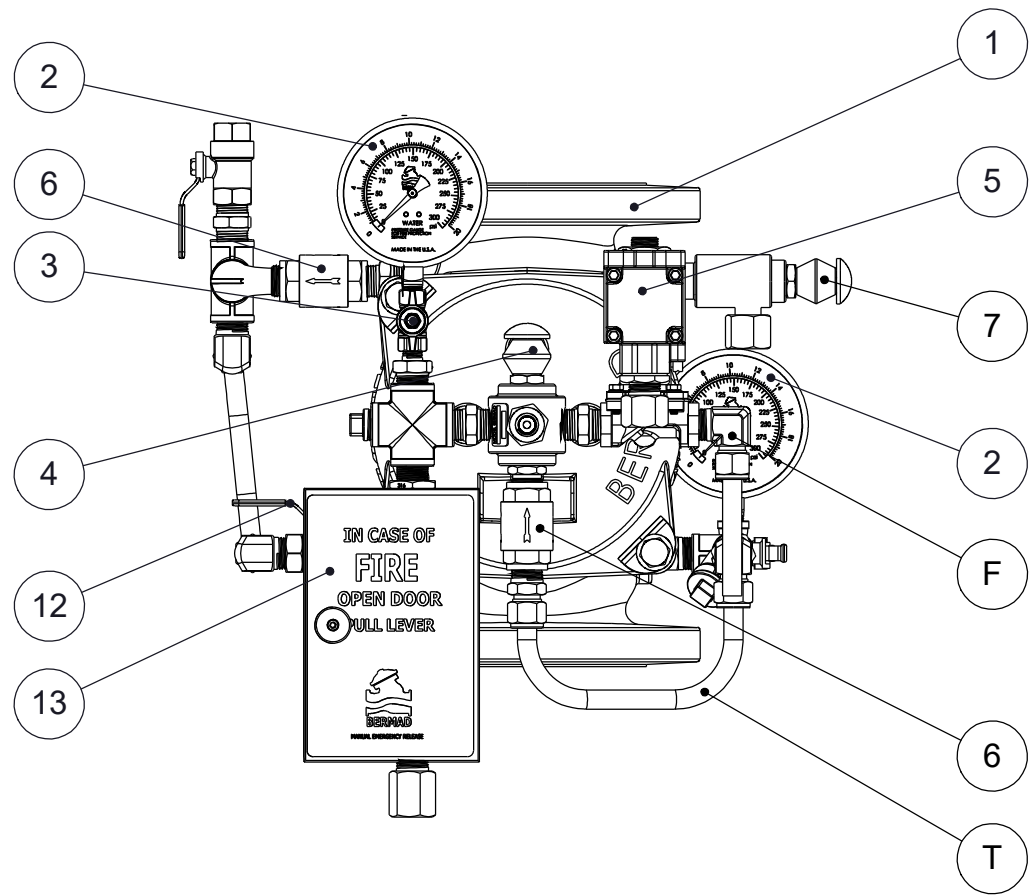


NOTE: PROVIDE AMPLE CLEARANCE FOR FUTURE MAINTENANCE

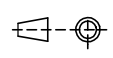

CATALOG No.	PC2-FP-4-400E-2M-G-C-16-ER-4DC-NN-APY			
	Project Name:	Material:	Finish:	
	Doc. Code:	DESCRIPTION: ELECTRICALLY CONTROLLED DELUGE VALVE		
	NAME	DATE		
DESIGN	Alex Dehtar	02.05.2019		
DRAWN	Alexander Bezrebriviy	02.05.2019	File name: PC2-FP-4-400E-2M-G-C-16-ER-4DC-NN-APY_Vertical	SCALE: 1:3
APPROVED	Alex Dehtar	07.05.2019	DWG No. 022283	WEIGHT [Kg]: 41
			SHEET 1 OF 2	REV. 0





NOTE: PROVIDE AMPLE CLEARANCE FOR FUTURE MAINTENANCE

Item No.	Description	Qty
1	Main Valve Bermad 400E Series	1
2	Pressure Gauge 4"x1/4"	2
3	Gauge Ball Valve 1/4"	2
4	EasyLock Manual Reset 1/2"	1
5	Solenoid Valve 1/2"	1
6	Check Valve 1/2"	2
7	Drip Check 1/2"	1
8	Drain Ball Valve 2"	1
9	Priming Y-Strainer 1/2"	1
10	Union 1/2"	1
11	Priming Ball Valve 1/2"	1
12	By Pass Ball Valve 1/2"	1
13	Manual Emergency Release 1/2" Model D	1
14	Ball Valve 1/2"	2
F	Fittings and Tubing	Lot
T	Seamless Tube 3/8"-1/2"OD	Lot

CATALOG No. PC2-FP-4-400E-2M-G-C-16-ER-4DC-NN-APY					
	Project Name:		Material:	Finish:	
	Doc. Code:		DESCRIPTION: ELECTRICALLY CONTROLLED DELUGE VALVE		
	NAME	DATE			
DESIGN	Alex Dehtar	02.05.2019			
DRAWN	Alexander Bezrebrly	02.05.2019	File name: PC2-FP-4-400E-2M-G-C-16-ER-4DC-NN-APY_Vertical	SCALE: 1:5	
APPROVED	Alex Dehtar	07.05.2019	DWG No. 022283	WEIGHT [Kg]: 41	SHEET 2 OF 2
					REV. 0