
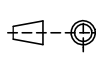
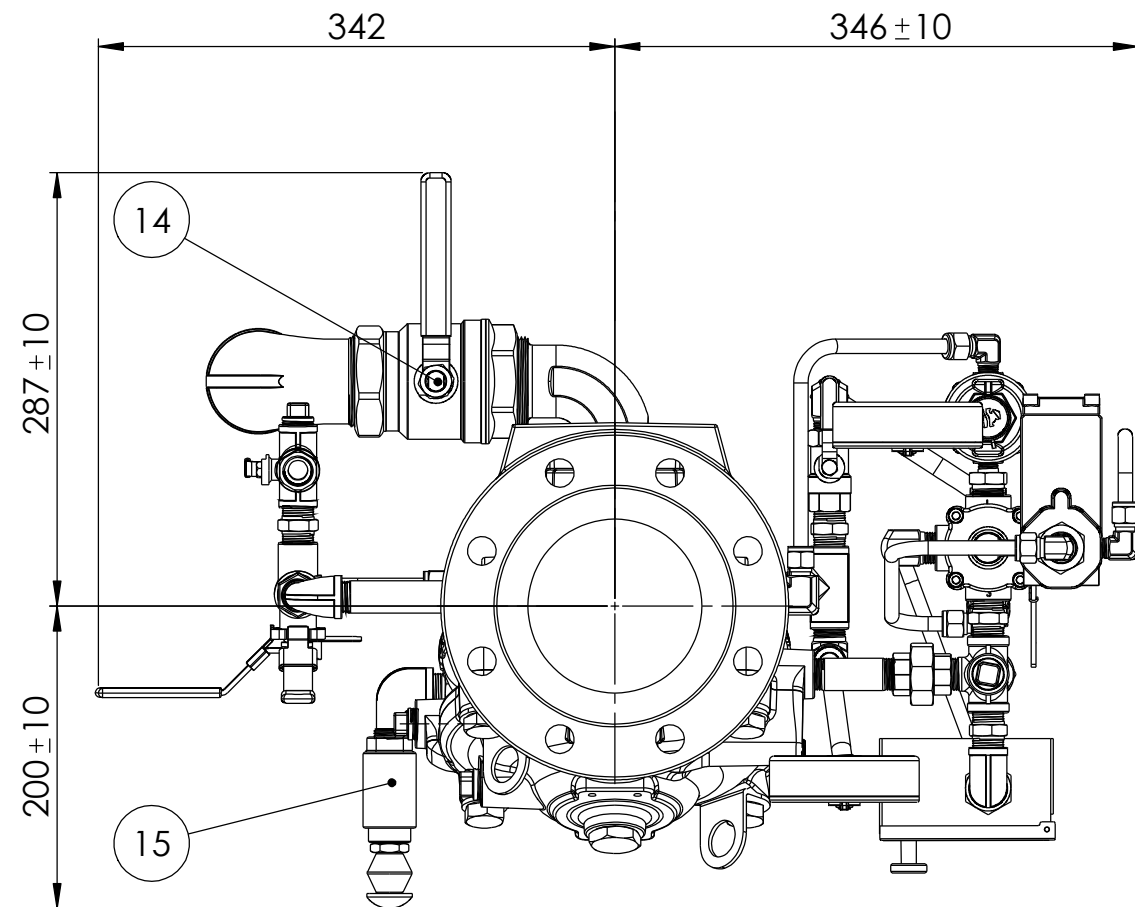
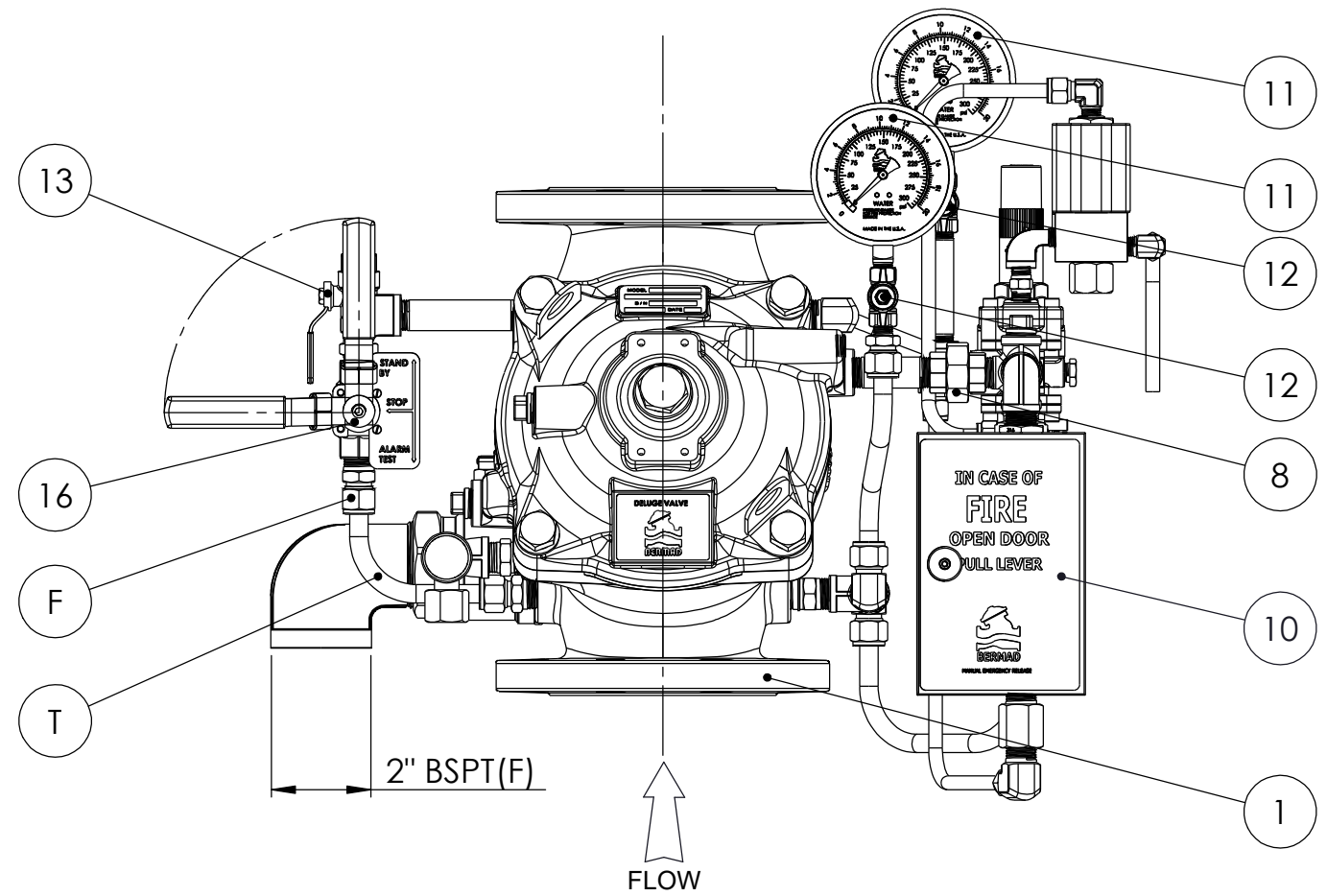
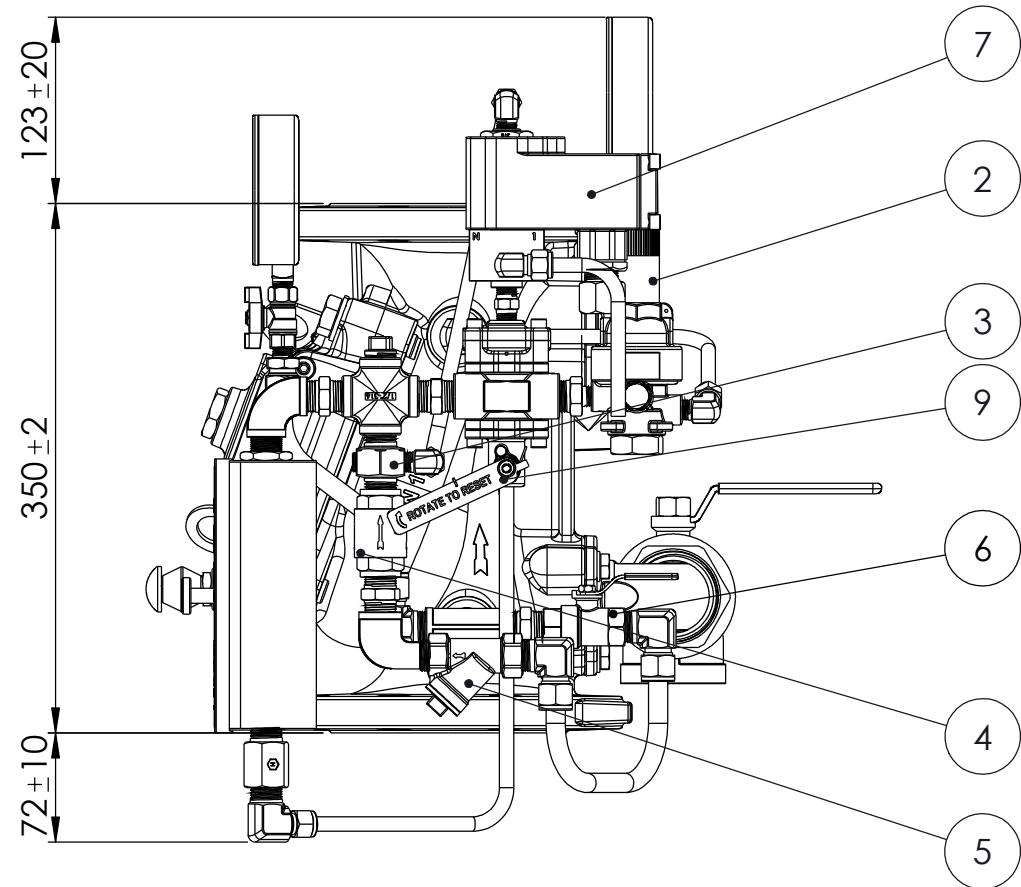


NOTE:1. PROVIDE AMPLE CLEARANCE FOR FUTURE MAINTENANCE

THIS DOCUMENT IS BERMAD'S PROPERTY AND CANNOT BE USED BY OTHERS FOR ANY PURPOSE WITHOUT PRIOR WRITTEN CONSENT.

CATALOG No.	PC3-FP-4-400Y-2MC-V-C-16-ER-4DC-NN-APY			
	Project Name:		Material:	
	Doc. Code:		DESCRIPTION:	
	NAME	DATE	ELECTRICALLY CONTROLLED DELUGE VALVE WITH LOCAL RESET	
DESIGN	Alex Dehtar	01.05.2019	File name: PC3-FP-4-400Y-2MC-V-C-16-ER-4DC-NN-APY	SCALE: 1:3
DRAWN	Alexander Bezrebrly	01.05.2019	DWG No. 022278	WEIGHT [Kg]:55
APPROVED	Alex Dehtar	07.05.2019	SHEET 1 OF 2	REV. 0



Item No.	Description	Qty
1	Bermad 400Y Valve Series #150RF	1
2	Pressure Reducing Pilot Valve	1
3	Restriction Orifice	1
4	Check Valve 1/2"	2
5	Priming Y-Strainer 1/2"	1
6	Priming Ball Valve 1/2"	1
7	3/2 Solenoid Valve	1
8	Union 1/2"	1
9	Relay Valve (URV-M) 1/2" with Mechanical Latch	1
10	Manual Emergency Release Model DN	1
11	Pressure Gauge 4"x1/4"	2
12	Gauge Ball Valve 1/4"	2
13	Ball Valve 1/2"	1
14	Drain Ball Valve	1
15	Drip Check	1
16	3 Way Ball Valve 1/2"	1
F	Tube and Pipe Fittings	Lot
T	Seamless Tube 3/8"OD	Lot

NOTE:1. PROVIDE AMPLE CLEARANCE FOR FUTURE MAINTENANCE
 THIS DOCUMENT IS BERMADE'S PROPERTY AND CANNOT BE USED BY
 OTHERS FOR ANY PURPOSE WITHOUT PRIOR WRITTEN CONSENT.

CATALOG No.	PC3-FP-4-400Y-2MC-V-C-16-ER-4DC-NN-APY		
Project Name:	Material:		Finish:
	DESCRIPTION: ELECTRICALLY CONTROLLED DELUGE VALVE WITH LOCAL RESET		
Doc. Code:	NAME	DATE	SCALE: 1:5 A3
DESIGN	Alex Dehtar	01.05.2019	
DRAWN	Alexander Bezrebrly	01.05.2019	
APPROVED	Alex Dehtar	07.05.2019	DWG No. 022278 WEIGHT [Kg]:55 SHEET 2 OF 2 REV. 0

