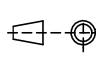


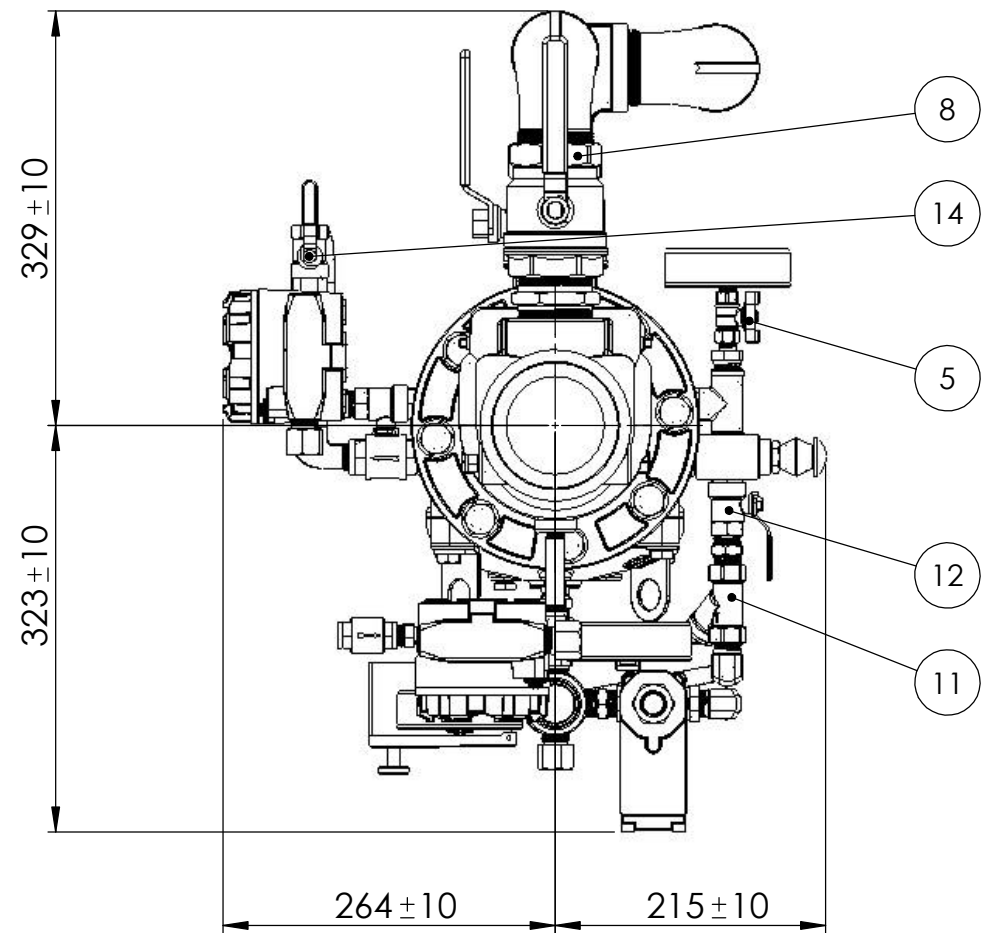
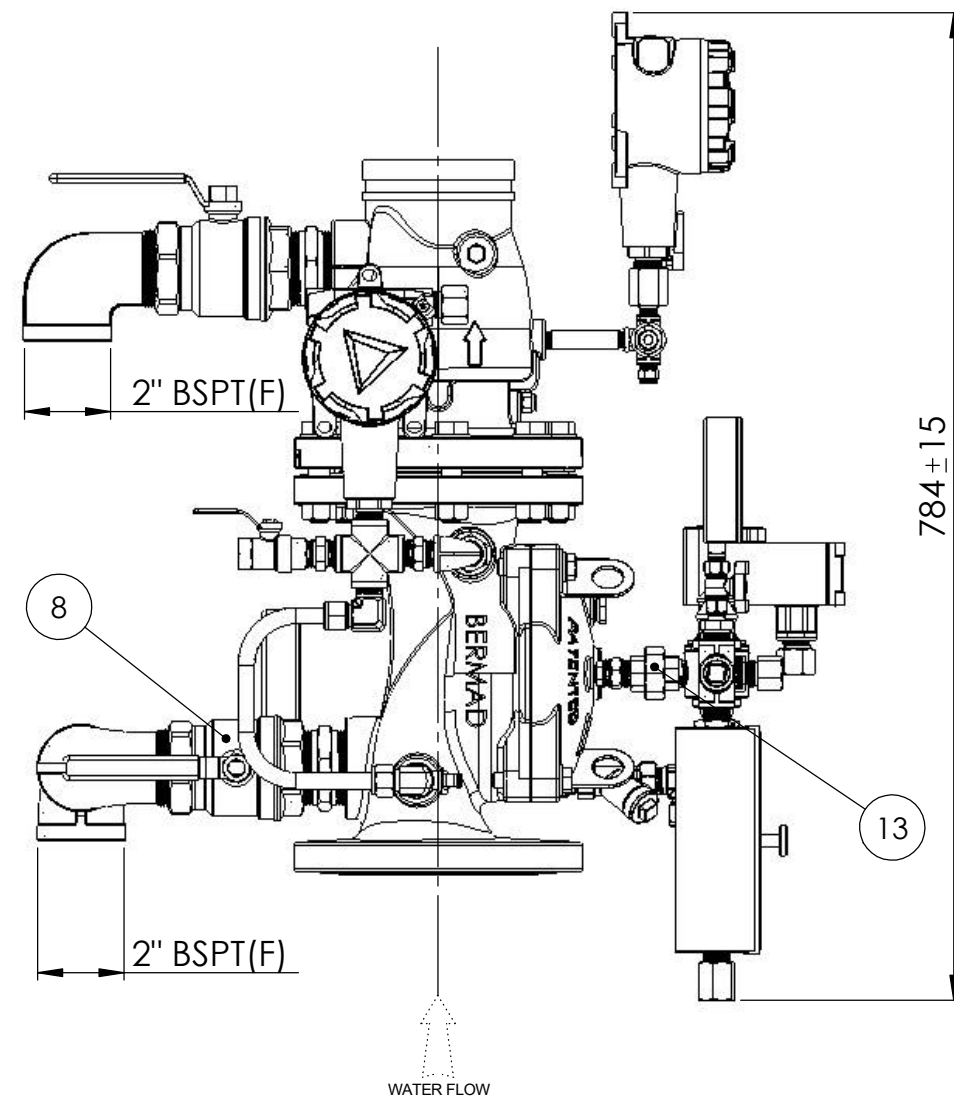
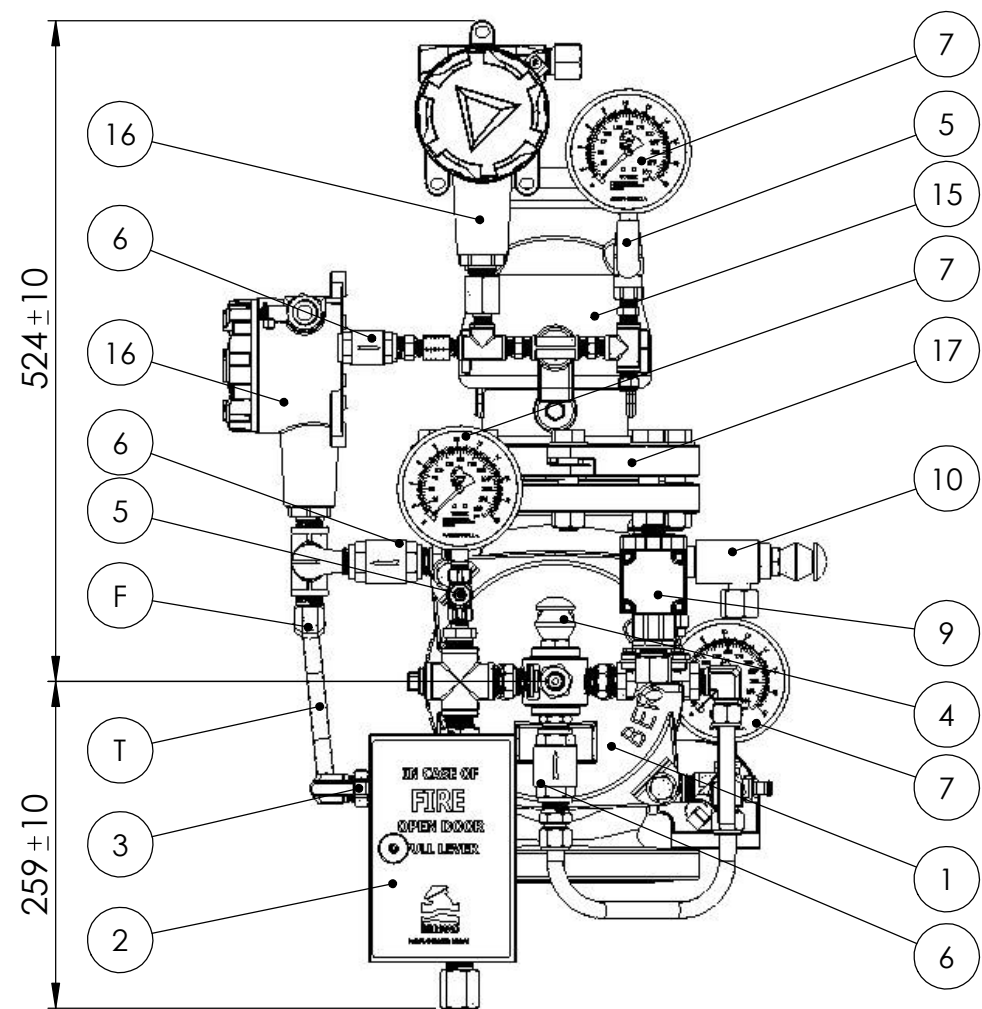
NOTE:1. PROVIDE AMPLE CLEARANCE FOR FUTURE MAINTENANCE

THIS DOCUMENT IS BERMAD'S PROPERTY AND CANNOT BE USED BY OTHERS FOR ANY PURPOSE WITHOUT PRIOR WRITTEN CONSENT.

CATALOG No.	PC4-FP-4-400E-7BM-G-C-16-ER-4DC-NN-A9P9P9Y			
	Project Name:		Material: Material	Finish: Finish
	Doc. Code:		DESCRIPTION: Double Interlock Pre Action Electric-Electric Release System	
	NAME	DATE		
DESIGN	Alex Dehtar	02.05.2019		
DRAWN	Alexander Bezrebrly	02.05.2019	File name: PC4-FP-4-400E-7BM-G-C-16-ER-4DC-NN-A9P9P9Y	SCALE: 1:4
APPROVED	Alex Dehtar	07.05.2019	DWG No. 022293	WEIGHT [Kg]: 60
			SHEET 1 OF 2	REV. 0



A3



NO.	DESCRIPTION	QTY
1	Bermad 400E Deluge Valve	1
2	Manual Emergency Release	1
3	Alarm Test Ball Valve 1/2"	1
4	Easylock Manual Reset 1/2"	1
5	Gauge Ball Valve 1/4"NPT	3
6	Check Valve	3
7	Pressure Gauge 4"x1/4"NPT	3
8	Drain Ball Valve	2
9	2-Way Solenoid Valve	1
10	Drip Check 1/2"	1
11	Priming Y Filter 1/2"NPT	1
12	Priming Ball Valve 1/2"NPT	1
13	Union 1/2"NPT	1
14	Alarm Shutt-Off Ball Valve 1/2"	1
15	In-Line Swing Check Valve	1
16	Pressure Switch 1/2"	2
17	Coupling	1
F	Tube and Pipe Fittings	Lot
T	Tube 3/8"-1/2"OD (Meter)	Lot

NOTE:1. PROVIDE AMPLE CLEARANCE FOR FUTURE MAINTENANCE  
 THIS DOCUMENT IS BERMAD'S PROPERTY AND CANNOT BE USED BY  
 OTHERS FOR ANY PURPOSE WITHOUT PRIOR WRITTEN CONSENT.

CATALOG No. <b>PC4-FP-4-400E-7BM-G-C-16-ER-4DC-NN-A9P9P9Y</b>		Project Name:		Material: Material	Finish: Finish
Doc. Code:		DESCRIPTION: Double Interlock Pre Action Electric-Electric Release System			
DESIGN	Alex Dehtar	DATE	02.05.2019	File name: PC4-FP-4-400E-7BM-G-C-16-ER-4DC-NN-A9P9P9Y	SCALE: 1:6
DRAWN	Alexander Bezrebrly	DATE	02.05.2019	DWG No. 022293	WEIGHT [Kg]: 60
APPROVED	Alex Dehtar	DATE	07.05.2019	SHEET 2 OF 2	REV. 0

