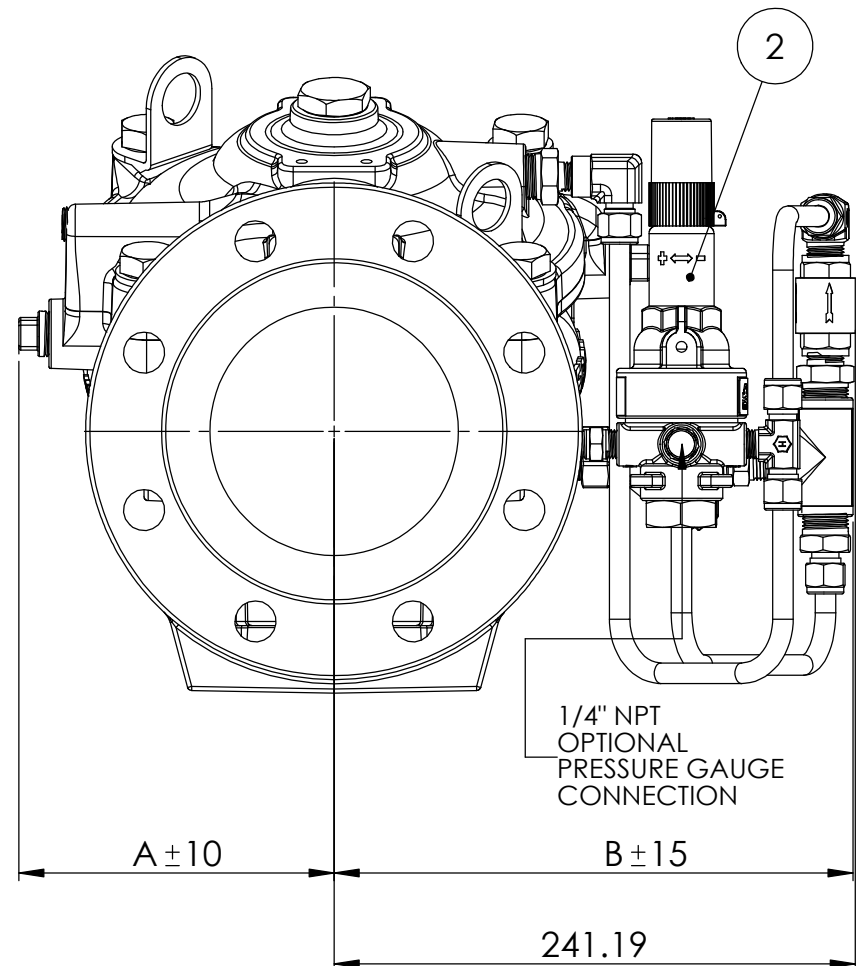
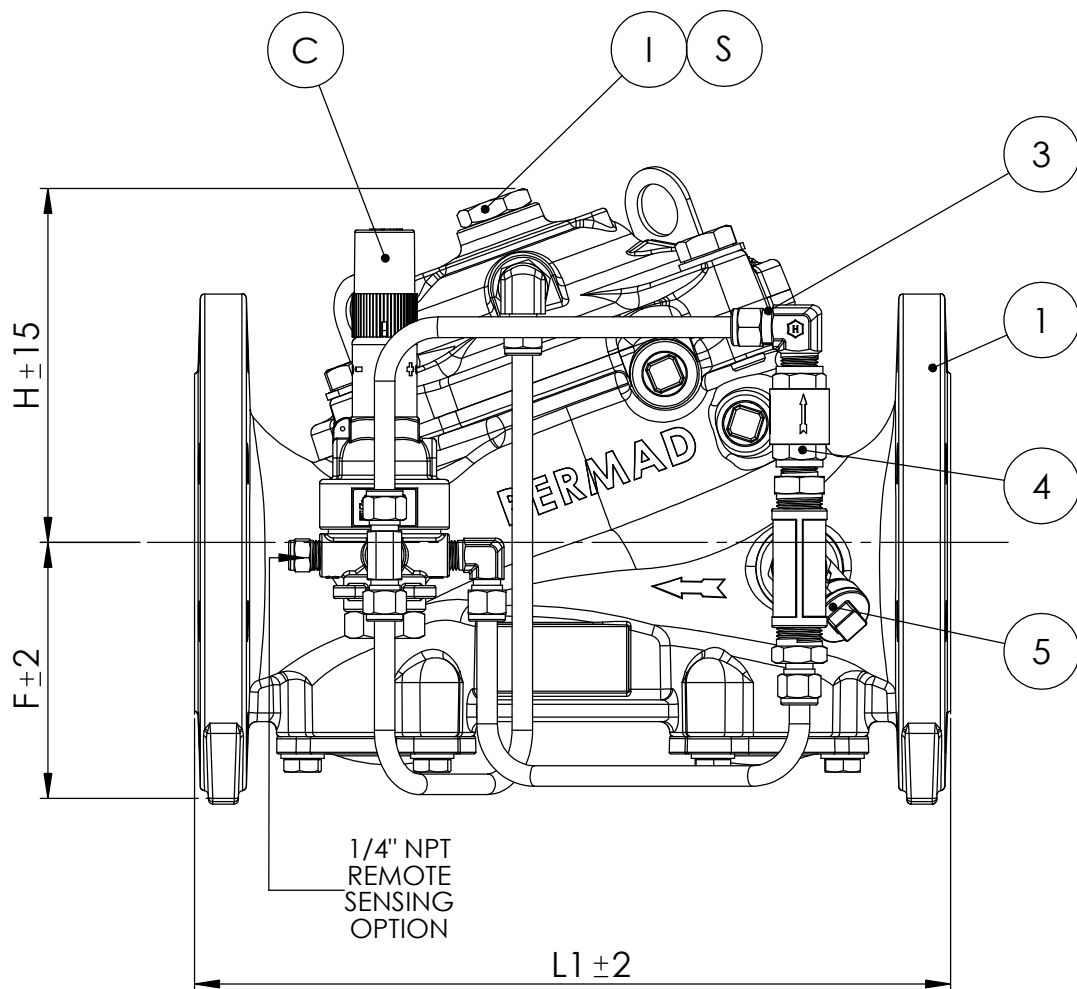


Item No.	Description	Qty
1	Main Valve Bermad 400Y ANS#150	1
2	Pressure Sustaining Pilot Valve #3PB	1
3	Restriction Orifice Insert	1
4	Check Valve	1
5	Y Strainer	1

Optional Items		
I	Visual Position Indicator	1
S	Limit Switch Assembly	1
C	Tamper Proof Cup	1



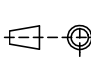
Valve Size	1½"	2"	3"	4"	6"
DN	40	50	80	100	150
H	125	125	153	163	232
F	65	77	106	121	147
L1	230	230	310	350	480
A	90	90	137	146	201
B	189	190	200	241	255
Weight (Kg)	12.1	13.5	28.2	38.2	81.5

NOTES :

1). ADD 45mm WHEN USING VISUAL POSITION INDICATOR, AND 120mm FOR ENCLOSED LIMIT SWITCH.

* ALL DIMENSIONS ARE IN METRIC mm UNLESS MENTIONED OTHERWISE
 * PROVIDE AMPLE CLEARANCE FOR FUTURE MAINTENANCE.

THIS DOCUMENT IS BERMAD'S PROPERTY AND CANNOT BE USED BY OTHERS FOR ANY PURPOSE WITHOUT PRIOR WRITTEN CONSENT.

CATALOG No.	PC6-4-FP-43T-H-C-16-ER-NN		
	Project Name:	Material:	Finish:
	Doc. Code:	DESCRIPTION: PRESSURE RELIEF VALVE	
DESIGN	Alex Dehtar	05.05.2019	
DRAWN	Alexander Bezrebriy	05.05.2019	File name: PC6-4-FP-43T-H-C-16-ER-NN
APPROVED	Alex Dehtar	07.05.2019	DWG No. 016465 WEIGHT [Kg]: Table
			SCALE: 1:4
			A3
			SHEET 1 OF 1 REV. 0