
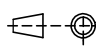
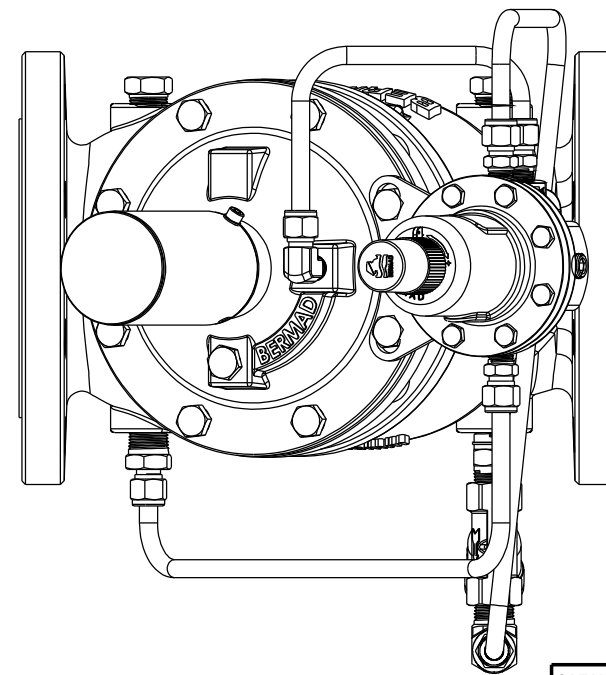
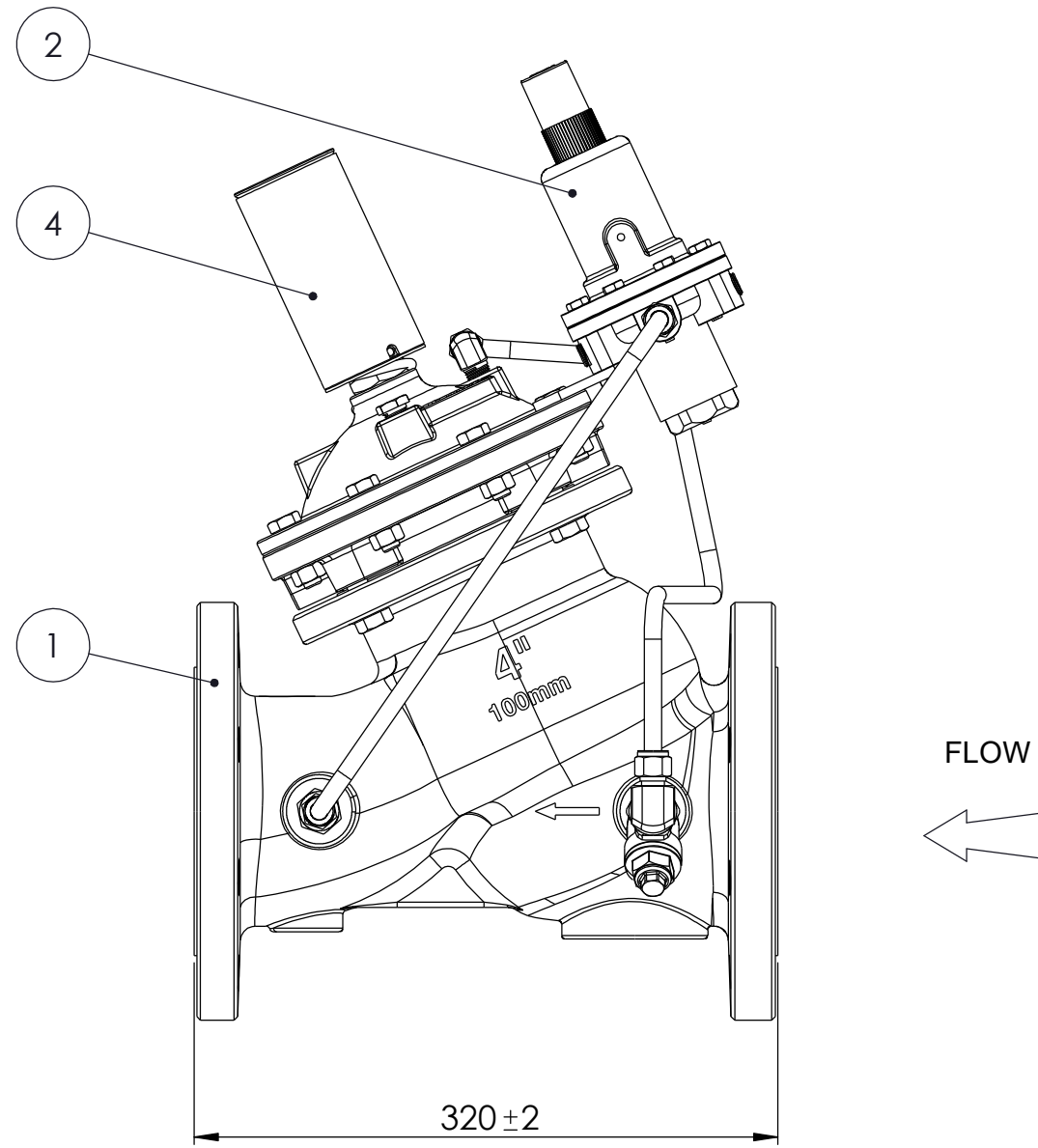
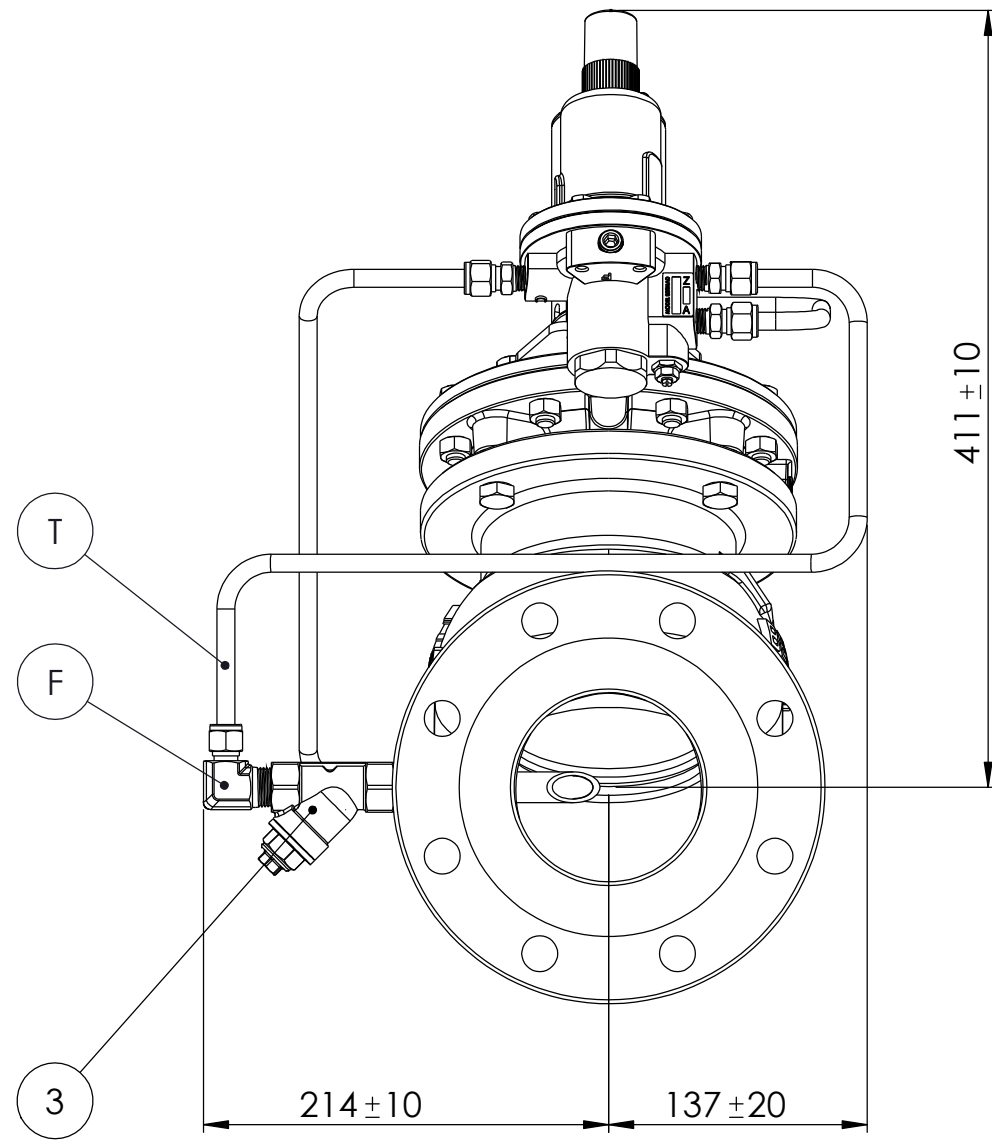


NOTE:1. PROVIDE AMPLE CLEARANCE FOR FUTURE MAINTENANCE

THIS DOCUMENT IS BERMAD'S PROPERTY AND CANNOT BE USED BY OTHERS FOR ANY PURPOSE WITHOUT PRIOR WRITTEN CONSENT.

CATALOG No.	PC9-FP-4-730-48-Y-C-16-ER-NN-BL			
	Project Name:		Material: Material Finish: Finish	
	Doc. Code:		DESCRIPTION:	PUMP AIR RELEASE VALVE AND PRESSURE CONTROL
	NAME	DATE		
DESIGN	Guy Kariti	03.02.2020		
DRAWN	Alexander Bezrebrly	03.02.2020	File name: PC9-FP-4-730-48-Y-C-16-ER-NN-BL	
APPROVED	Alex Dehtar	03.02.2020	DWG No. 024547 WEIGHT [Kg]: 47	SCALE: 1:3
			SHEET 1 OF 2	A3
				REV. 0



Item No.	Description	Qty
1	Main Valve Bermad 700 Series #150RF	1
2	Pressure Reducing Pilot Valve #3-UL	1
3	Priming Y Filter	1
4	Lift Spring	1
F	Tube and Pipe Fittings	Lot
T	Seamless Tube 3/8"OD	Lot

NOTE:1. PROVIDE AMPLE CLEARANCE FOR FUTURE MAINTENANCE

THIS DOCUMENT IS BERMAD'S PROPERTY AND CANNOT BE USED BY OTHERS FOR ANY PURPOSE WITHOUT PRIOR WRITTEN CONSENT.

CATALOG No.	PC9-FP-4-730-48-Y-C-16-ER-NN-BL		Material: Material	Finish: Finish
	Project Name:		DESCRIPTION: PUMP AIR RELEASE VALVE AND PRESSURE CONTROL	
	Doc. Code:			
	NAME	DATE		
DESIGN	Guy Kariti	03.02.2020	File name: PC9-FP-4-730-48-Y-C-16-ER-NN-BL	SCALE: 1:5
DRAWN	Alexander Bezrebrly	03.02.2020	DWG No. 024547	WEIGHT [Kg]: 47
APPROVED	Alex Dehtar	03.02.2020	SHEET 2 OF 2	REV. 0

